



SP5600 OptimusR™

The Metrologic OptimusR mobile computer provides a rugged solution for batch-data collection applications demanding warehouse and distribution center environments.

With an IP rating of 65, OptimusR can take a slugging and keep on scanning.

This stylish and ergonomic mobile computer rapidly uploads and downloads data via the Direct Connection option which lowers cost of ownership by making a separate terminal cradle unnecessary.

OptimusR features easy navigation and software development tools that make customizing applications for even the toughest data-collection challenges a snap. Optimizer software allows for quick configuration of PDT programs.

OptimusR comes with 2MB of data memory (4MB & 8MB optional) for accommodating larger inventories. The Lithium-Ion rechargeable battery allows 200 hours of non-stop scanning operation which maximizes uptime and labor efficiency by eliminating the cost of replacement batteries.

OptimusR symbolizes Metrologic's increased efforts to expand its mobile computer product line. Metrologic will continue to develop products that enhance its hard-earned reputation for excellence.

With the OptimusR, dusty, damp warehouses never looked so inviting.

www.metrologic.com

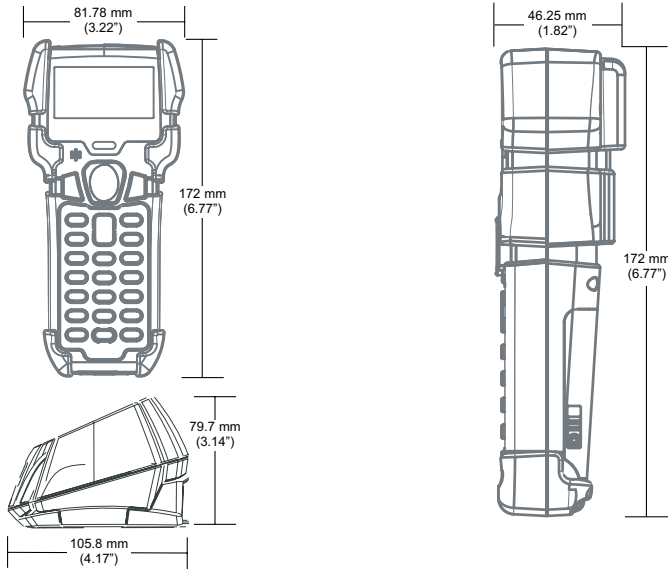


FEATURES

- Plastic housing with integrated rubber
- IP65 Rated
- Rechargeable battery
- Optimizer Software Suite
- Ergonomic design with large, backlit keys

BENEFITS

- Reinforced unit construction enhances durability
- Protection from harsh and demanding environments
- Allows up to 200 hours of non-stop operation and minimizes downtime and cost by eliminating need for replacement batteries
- Graphical software package makes setup and use a quick and easy process
- Shape and key placement facilitates comfortable one-handed operation



OPERATIONAL

| | |
|-------------------------|--|
| System | |
| CPU | 16-bit CMOS, low power consumption |
| Program Memory | 2 MB flash ROM |
| Data Memory | 2 MB SRAM (optional 4 MB or 8 MB) |
| Display | LCD - 100 x 64 pixels, back-lit |
| Resolution | 8 lines x 20 characters (max), 4 lines x 15 characters (min) |
| Keypad | 25 rubber keys; alpha/numeric, function, scanner (optional 39 keys) |
| Indicators | Buzzer - programmable audible indicator (1 KHz - 4KHz) LED - Dual-color, programmable green and red |
| Communication (Unit) | RS232, USB or Cradle IR |
| Communication (Cradle) | RS232, USB |
| Application Development | Windows-based Optimizer; optional C & BASIC compilers |

MECHANICAL

| | |
|--------|--------------------------------------|
| Weight | 140 g (4.9 oz) - including batteries |
|--------|--------------------------------------|

ELECTRICAL

| | |
|-------------------|---|
| Battery Operation | Li-ion |
| Battery Backup | 3.0V, 7.0mA hours, rechargeable lithium battery |
| Operation | Over 200 hours |
| EMC regulation | FCC Class A, CE and C-Tick approved |

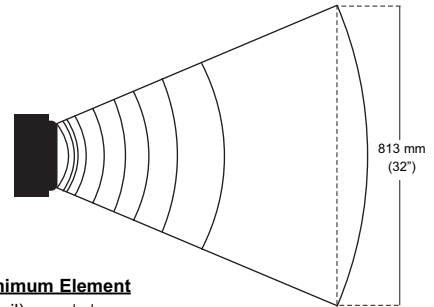
ENVIRONMENTAL

| | |
|-----------------------|---|
| Operating Temperature | 0°C to 50°C (32°F to 122°F) |
| Storage Temperature | -30°C to 60°C (-22°F to 140°F) |
| Humidity | 5% to 95% relative humidity, non-condensing |
| Shock resistance | 1.2 m (4') drop onto concrete |

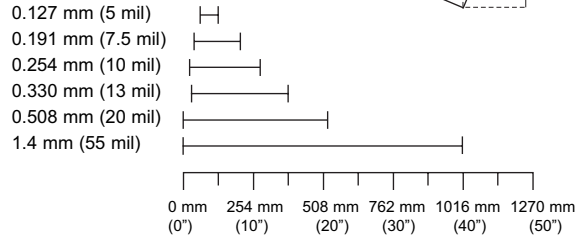
SCAN PERFORMANCE

| | |
|----------------------|--|
| Laser Scanner | |
| Visible Laser Diode | 650 nm |
| Minimum Bar Width | 0.127 mm (5.0 mil) |
| Width of Scan Field | 305 mm (12") @ 381 mm (15") |
| Depth of Scan Field | 51 mm - 381 mm (2" - 15") for 0.33 mm (13 mil) bar codes |
| Scan Speed | 42 scan lines per second |
| Print Contrast | 35% minimum reflective difference |

Scan Area



Bar Code Minimum Element



Product Colors Available



Optimus is available in a variety of other colors with minimum quantity purchase



Sunrise 2005 Compliant



www.metrologic.com
ISO 9001:2000

Metrologic Instruments, Inc. | **Worldwide Headquarters**
90 Coles Road | Blackwood, NJ 08012-4683 | info@metrologic.com
Telephone 856-228-8100 | Fax 856-228-6673

Asian Headquarters
Tel. 65.6842.7155
info@sg.metrologic.com

European Headquarters
Tel. 49.89.89019.0
info@eu.metrologic.com

The Americas Headquarters
Tel. 1.800.ID.METRO
info@us.metrologic.com

Specifications subject to change without notice.
Printed U.S.A., Copyright May 2006
Metrologic, All rights reserved.



DS5600